



DOREX 2000S & 2000S2

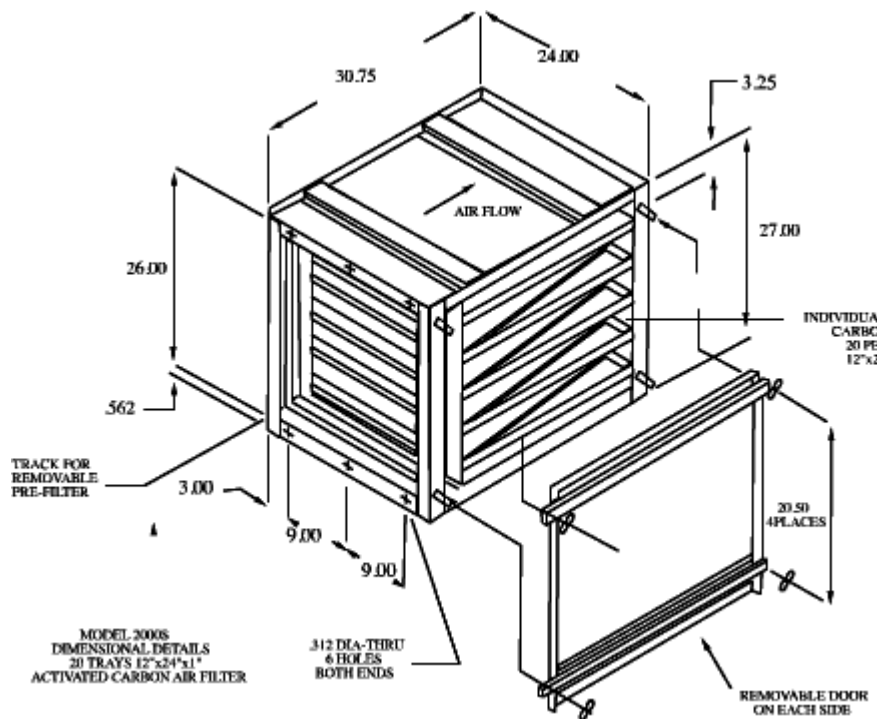
side access carbon filters

Features:

- High single-pass efficiency
- .25 (.75) wg resistance at 50 (62.5) ft/min
- Trays can be loaded or unloaded from either side of housing
- Units contain a two inch pre-filter track
- Standard trays are 14 gauge, cold rolled steel with a baked black enamel finish. Stainless steel, epoxy coated or plastic trays are optional
- Units can be bolted directly together or stacked to fill individual needs.

Specifications:

The **2000S** and **2000S2** are side access housings which are used to treat high airflow rates containing limited levels of contaminants. They are both unique in design and versatility. Being modular in design they can be bolted together or stacked like building blocks to fill various needs. While in this configuration, all filter tracks will align so the side-loading feature will not be lost. The **2000S2** is similar to the **2000S**, but holds more carbon for increased removal capacity.



Unit Designation	Number of Carbon Trays	Rated Flow at .25 W.G.	Lbs. of Carbon (Approximate)
2000S	10	2000 C.F.M.	90
2000S2	8	2000 C.F.M.	132