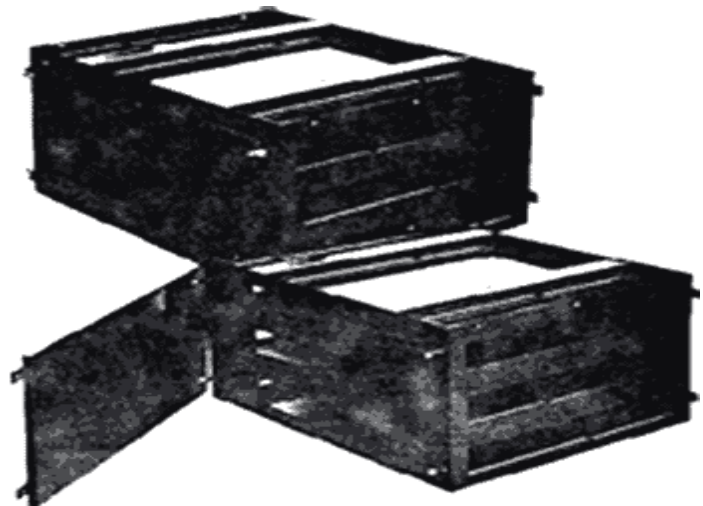




Dorex 2000SH SIDE ACCESS

Features:

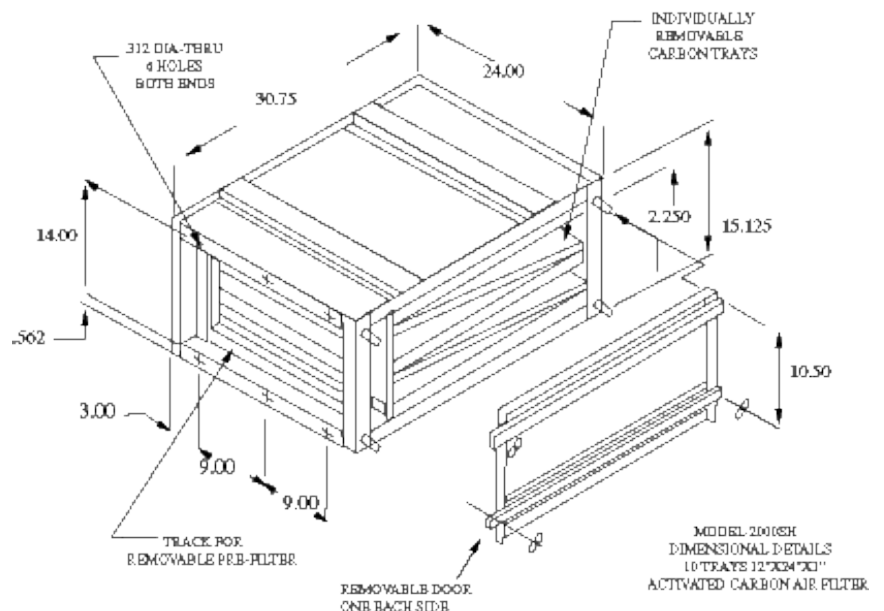
- High single-pass efficiency
- 500 ft./mn design velocity
- .25 wg resistance at 500 ft./mn
- Trays can be loaded or unloaded from either side of housing
- Units contain a two inch pre-filter track
- Trays are available in standard cold rolled steel with a baked black enamel finish or, as an option, stainless steel, epoxy coated or plastic trays can be ordered.
- Units can be bolted directly together or stacked to fill individual needs.



Specifications:

The **2000SH** side access housings are unique in design and versatility. Being modular in concept they can be bolted together or stacked like building blocks to fill various needs. While in this configuration, all filter tracks will align so the side-loading feature will not be lost.

The **DOREX 2000** series side access housings are available in cold rolled steel or stainless steel, with or without doors, at customers option.



Unit Designation	Number of Carbon Trays	Rated Flow at .25 W.G.	Lbs. of Carbon (Approximate)
2000SH	10	1000 C.F.M.	45